

DESCRIPTION

Drymas Grout 218 is a pre-bagged, cement based, precision, non-shrink, load-bearing grout designed to transfer load effectively and safely, ensuring long service time of the grouted item. It is a non-corrosive, non-metallic, mineral-based precision grout, developed to have high initial and ultimate flexural and compressive strengths. It can be mixed quickly, as needed, on the jobsite. Drymas grout 218 offers exceptional workability and is easily placed by pouring or pumping. The product is designed to give non-shrink performance under various conditions for both interior and exterior applications.

COMPLIED STANDARD

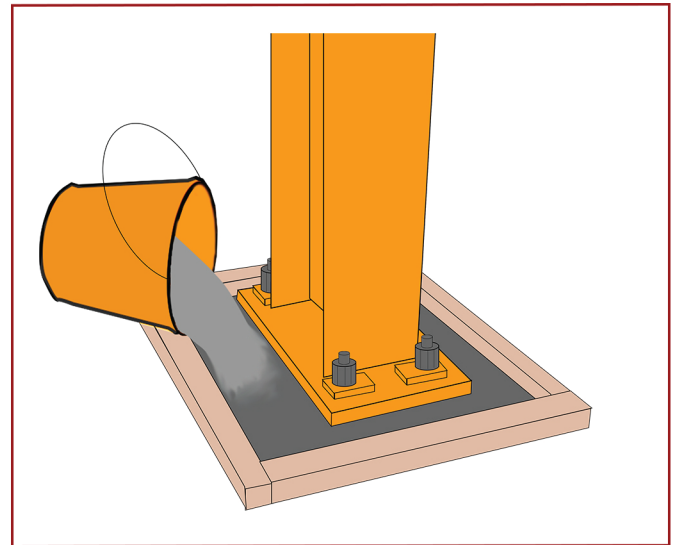
- TCVN 9204:2012
- ASTM C940

ADVANTAGES

- * Furnished premixed and ready to use ... just add water.
- * Easy to mix
- * Good flow characteristics
- * High early strength
- * Adjustable consistency
- * May be mixed to dry pack, plastic, flowable, and fluid consistencies for high versatility.
- * Provides a high strength, non-shrink grout for a broad range of general construction projects.
- * Offers the strength and characteristics required for cost-effective, general purpose grouting.
- * Cost reductions are realized when extended with pea gravel for deep grouting.
- * Requires no separate bonding agent ... only pre-saturation of concrete with water prior to application.
- * No site batching required for consistent results.
- * No added chlorides or gypsum.

COMSUMPTION

0.012 m³ per bag.



EXECUTION METHOD

Surface Preparation

All surfaces must be clean and sound. Remove all dust and debris. Thoroughly wet all surfaces before starting and keep substrate in a moist condition during placing. Any free surface water must be removed before application. Allow water drainage channels/holes in the under-plate grout formwork.

Mixing

Always use a mechanical grout mixer for optimum mixing and workability. Conventional or hand mixing will result in lower workability. First, pour the measured water into the container, and gradually add the dry powder. Continue mixing for an additional 2-3 minutes until the desired consistency is achieved. As far as possible, use exact and consistent timings for each operation to obtain consistent results.

Application

Place Drymas grout 218 quickly and continuously. Place all grout to assure complete filling of space being grouted and use a rod or strapping to assist in placement. Drymas grout 218 may be placed in thickness up to 50mm at one pour. For dry and sunny conditions, after initial hardening of the grout, all exposed areas which are not to be cut back should be thoroughly cured by means of water application.

UTILITY

Drymas Grout 218 is used extensively for pressure grouting and as a flowable grout. Drymas grout 218 is used for repairing structural building members such as precast wall panels, under plates, beams and columns and post tensioned girders. Drymas grout 218 may also be used for pressure grouting of concrete structures, filling of rigid joints between elements in concrete and precast concrete structures.

HANDLING

Drymas grout 218 is non-hazardous, but work cleanly and wear protective clothing. Wear a filter mask to avoid inhaling dust. Remove splashes from skin with water and in case of eye contact wash copiously with water. If irritation persists, seek immediate medical attention.

EXPITY DATE

Drymas grout 218 has a shelf life of 12 months in tightly closed original packing.

PACKING

25 kg per bag

SPECIFICATIONS	
Type	Mixture of Portland cement and graded aggregates
Appearance	Grey
Mixing ratio	Powder: water = 1: 0.15
Water content, %	15
FTS after mixing, mm (TCVN 9204:2012)	30
FTS after 30 mins, mm (TCVN 9204:2012)	28
Water separation after 1.5 hour, % (TCVN 9204:2012)	0.0
Expansion of freshly mixed grout, % (ASTM C940)	0.33
Compressive strength, Mpa (TCVN 9204:2012)	1 Day : ≥ 58 Mpa 3 Days: ≥ 65 Mpa 7 Days: ≥ 78 MPa 28 Days: ≥ 80 Mpa

DRYMAS VIETNAM CO., LTD

Head Office 1st Floor, X2 Building, Lane 34, Nghia Do Street, Tay Ho District, Hanoi
Website: www.drymas.vn Email: info@drymas.vn
Hotline: (024). 73013789

Factory Pham Van Dong Street, Cao Minh Village, Phuc Yen City, Vinh Phuc Province

